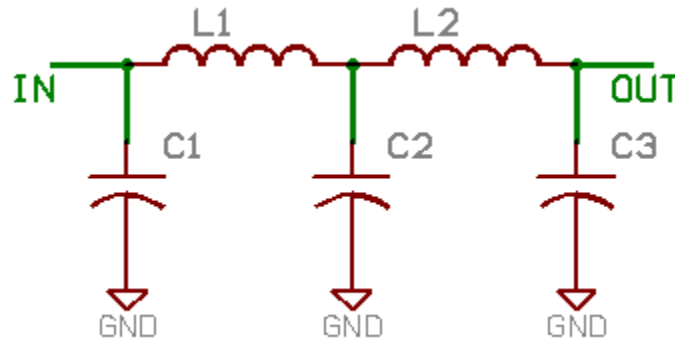


A low power 5 pole Low-Pass filter for 475 kHz



Easy to build Low-Pass filter for low power (5 watt) output on rigs like the IC-706 or the IC-7300. This will clean up the output where there is no filtering on out-of-band rigs modified for 630 meters. Components were selected for ease of construction. All capacitors and inductors are the same value, *see parts list*.

L1, L2, T50-3 34 turns #24-gauge wire 20uh each.

C1, C3, (6.8nf 6800pf) 100v or greater

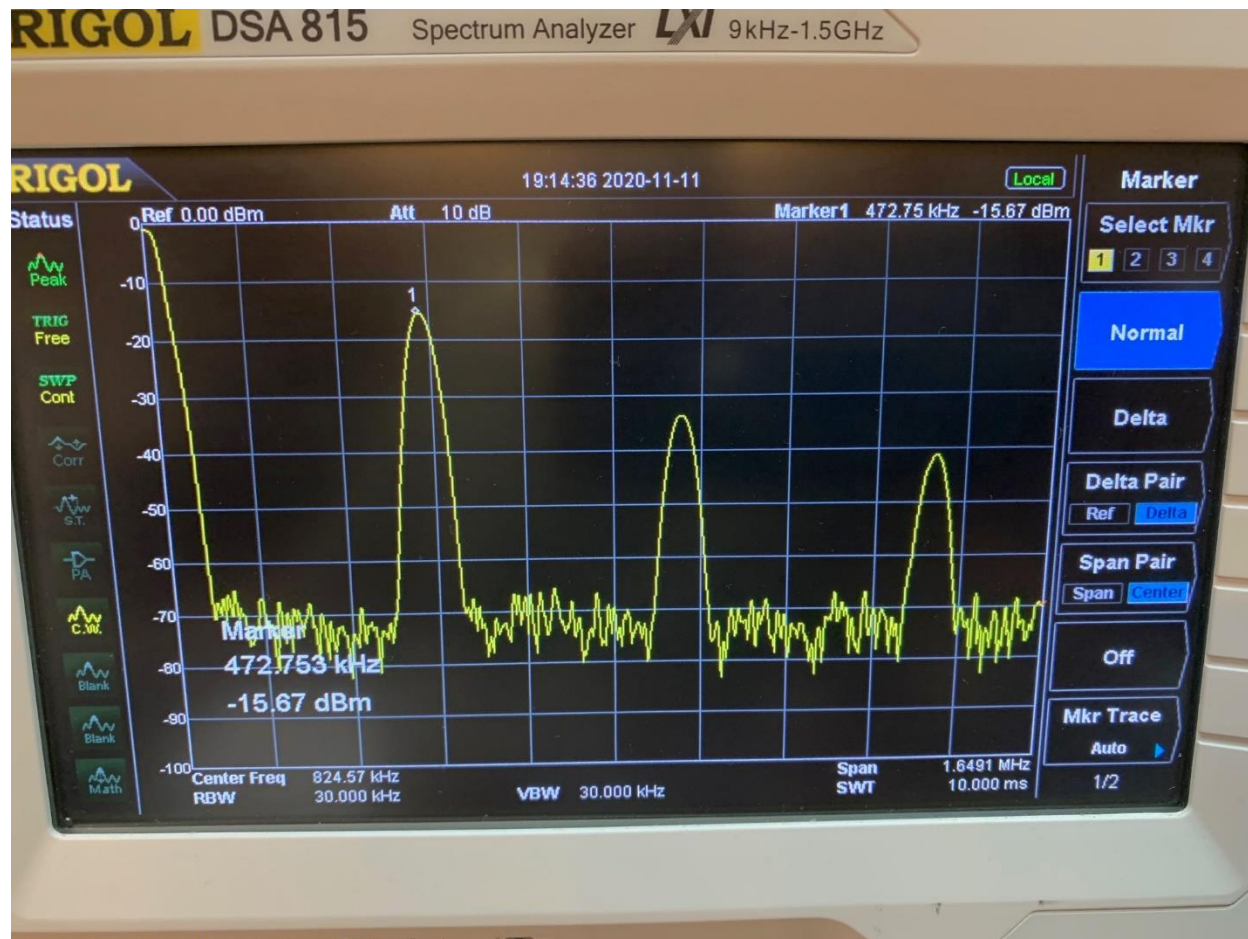
C2, two (6.8nf 6800pf) in parallel = 13.6nf 100v or greater.

The frequency vs loss plot, my readings were.

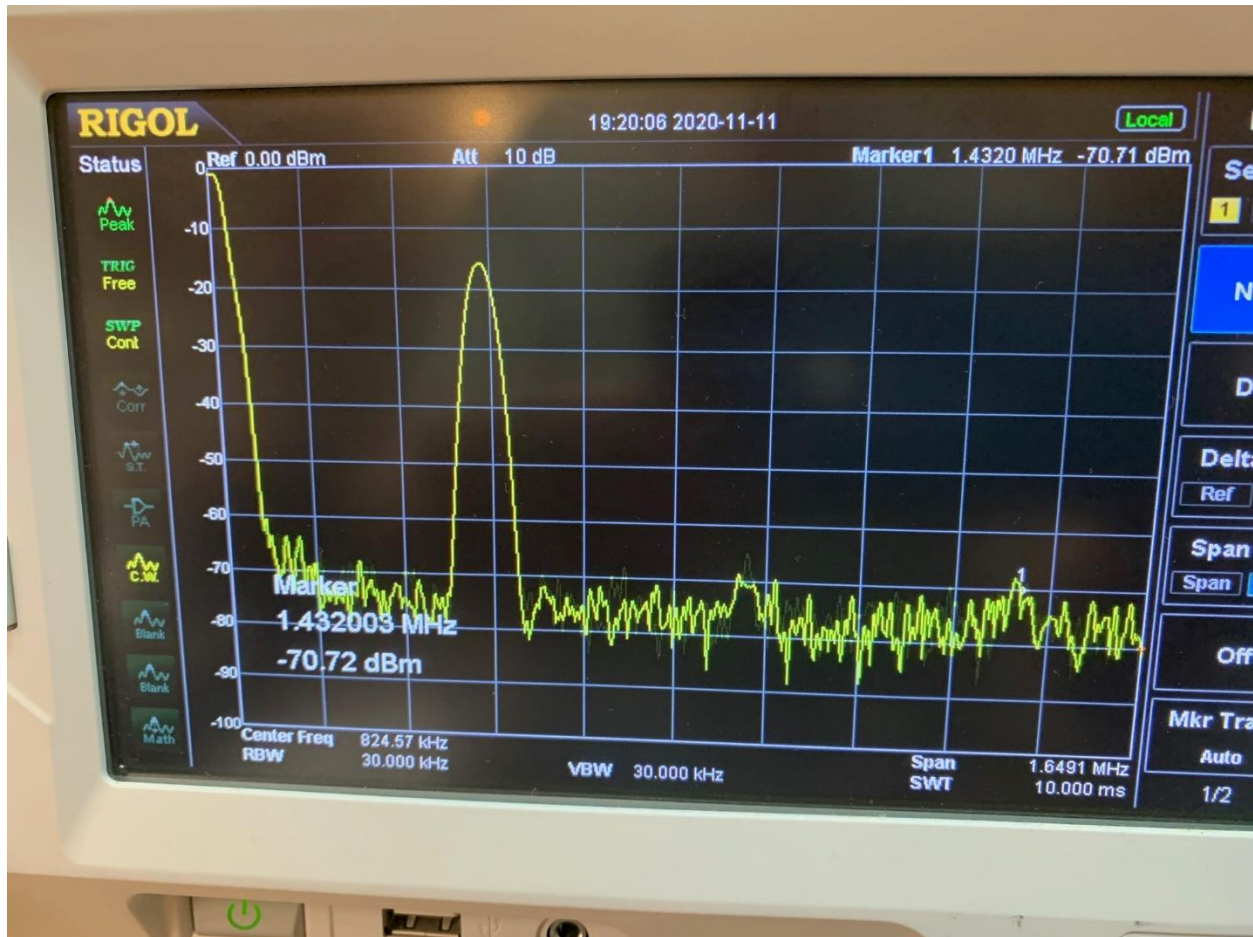
<0.5db insertion loss at 475 kHz

-29db at 950 kHz

-48db at 1400 kHz



IC-706 output without a Low-Pass Filter, 472 kHz.



IC-706 with the Low-Pass Filter in line with the output. Second and third Harmonic down greater than 55db.