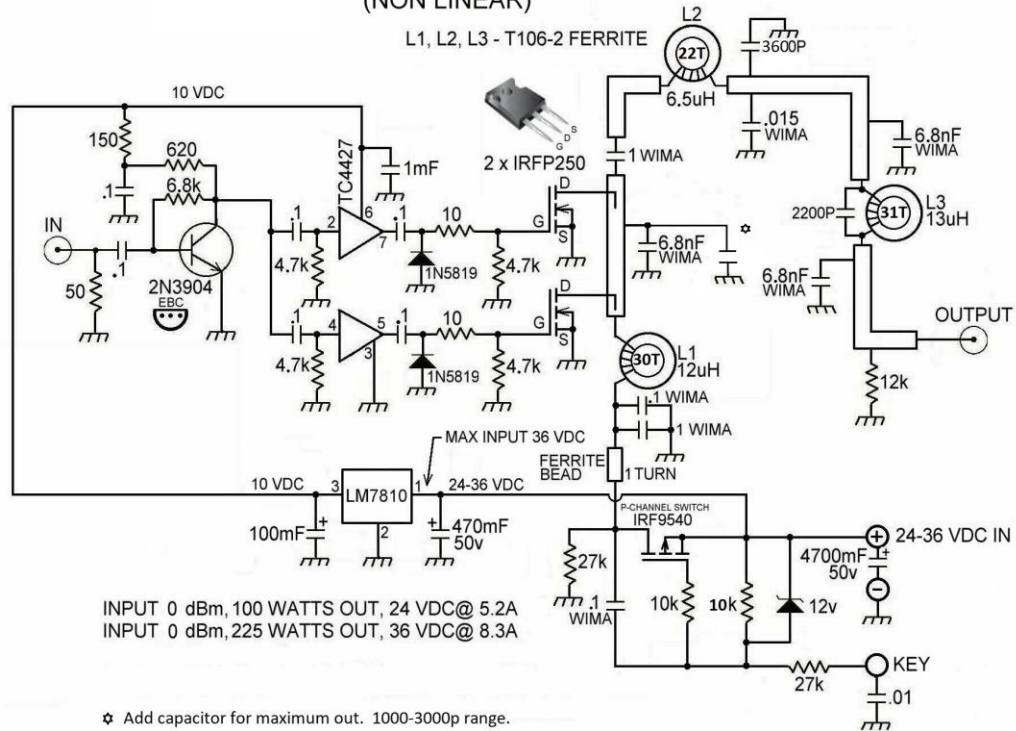


# WB4JWM 630 Meter Amplifier (NON LINEAR)



4-1-2018

Input 0dbm drive for 200 watts out at 36VDC or 100 watts out at 24VDC.