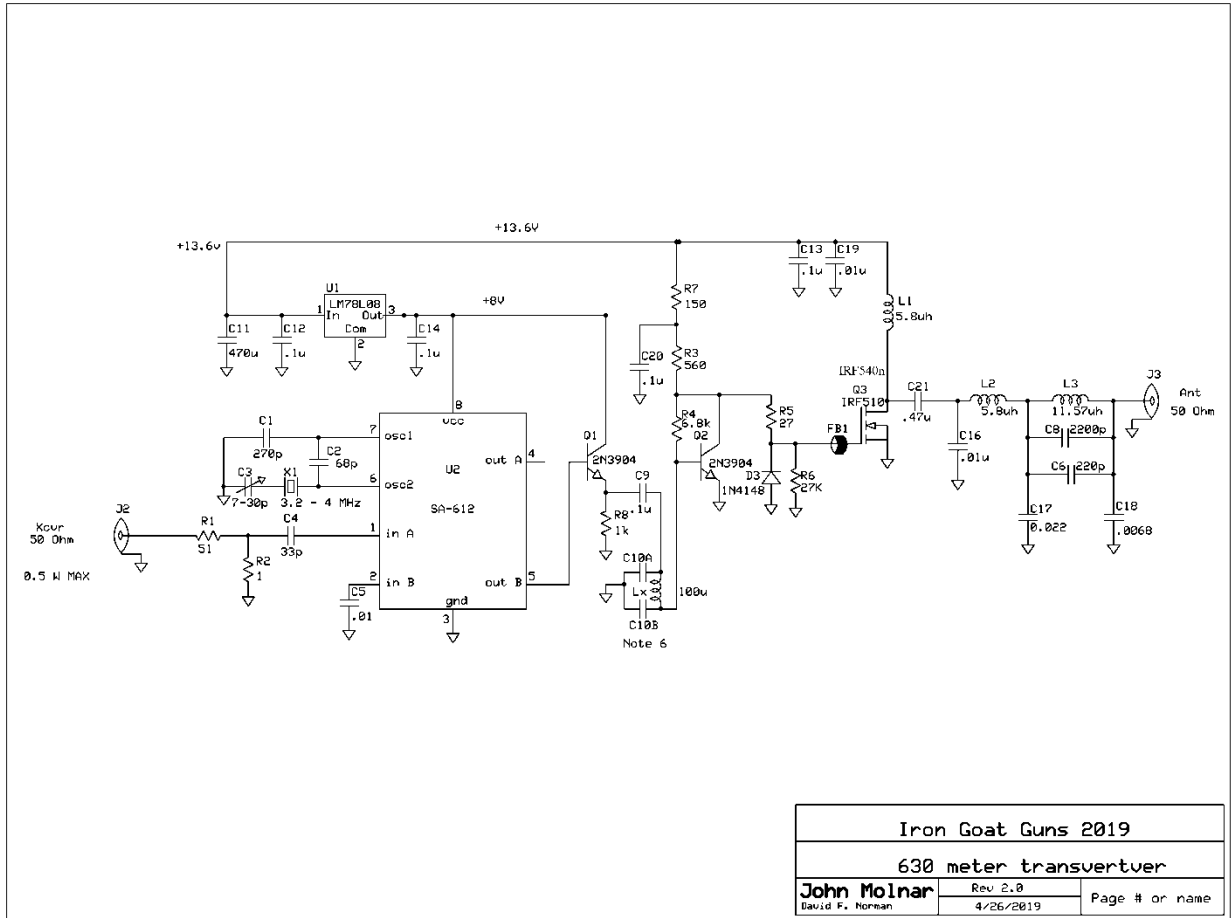


Transmit converter 3674.2mhz (80m) to 474.2khz (630m)



For sale, Used MS Solutions transmit converter for sale. Bench tested 22 watts out with 13.8v supply. **\$110 shipped US only**, see picture.

